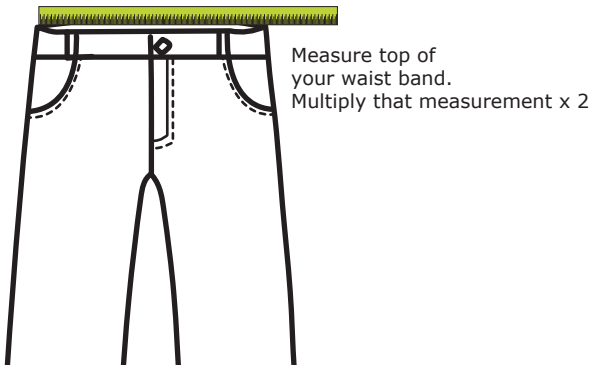


Tailormade Jeanswear Stretch Measurements Form

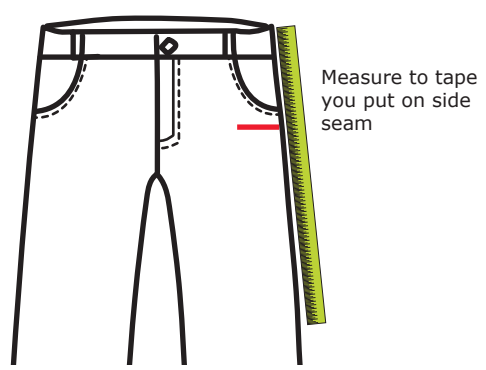
The TJ's team "Taking Pride and Pleasure in Serving You"

Date: _____

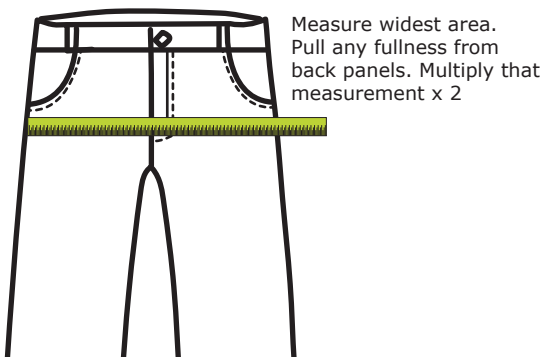
1. WAIST _____ WAIST STRETCHED _____



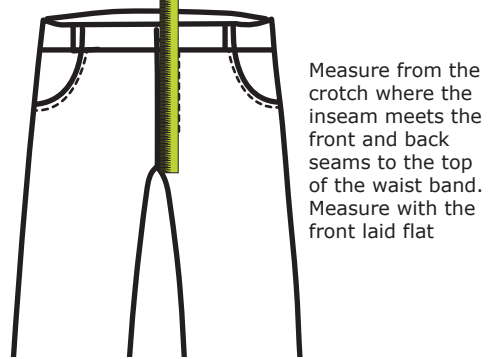
2. WAIST TO HIP _____



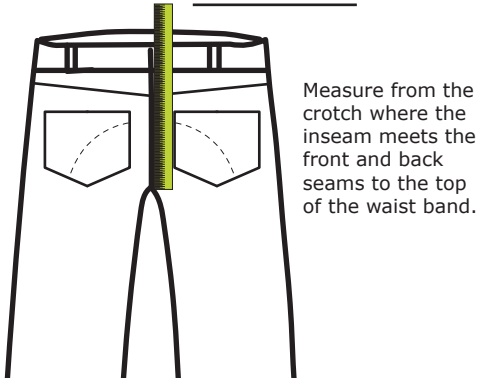
3. HIPS/SEAT _____ HIPS/SEAT STRETCHED _____



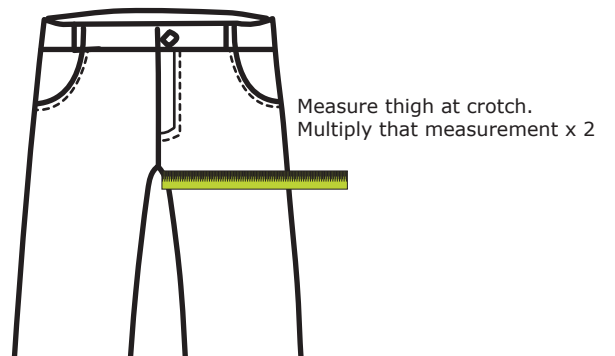
4. FRONT RISE _____



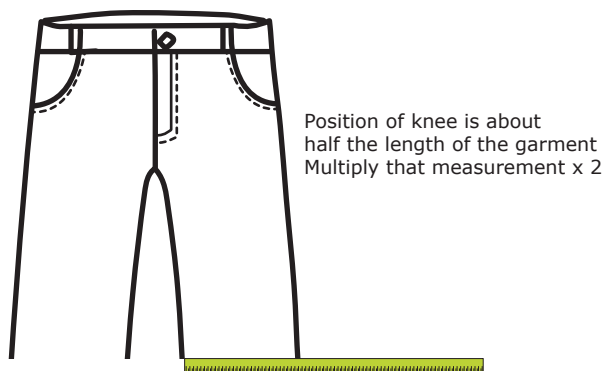
5. BACK RISE _____



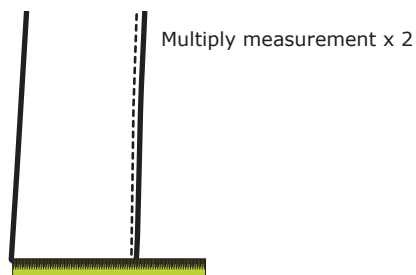
6. THIGH _____ THIGH STRETCHED _____



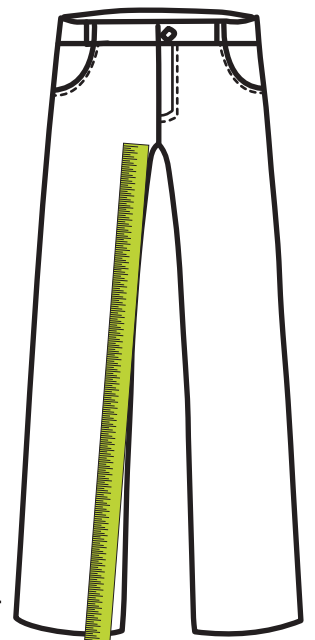
7. KNEE _____ KNEE STRETCHED _____



8. LEG OPENING _____



9. INSEAM _____



9. INSEAM _____